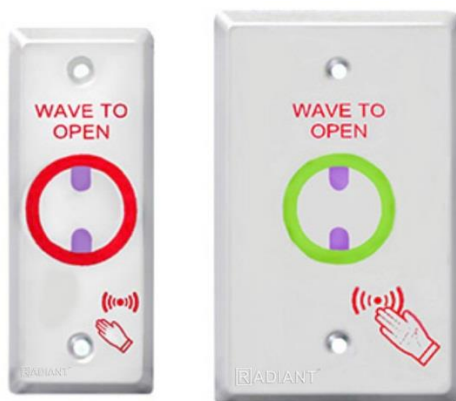


## EXIT SWITCHES / TOUCHLESS TYPE SERIES

### FEATURES

- Use IR Sensor technology; device is active without touch
- Backup operational function
- Dual LED, illuminated sensor, Red/Green indicates Inactive / Active status
- Weatherized with 1mm vandal resistant faceplate
- Designed to control electric locks/strikes, magnetic locks, or automatic door operators

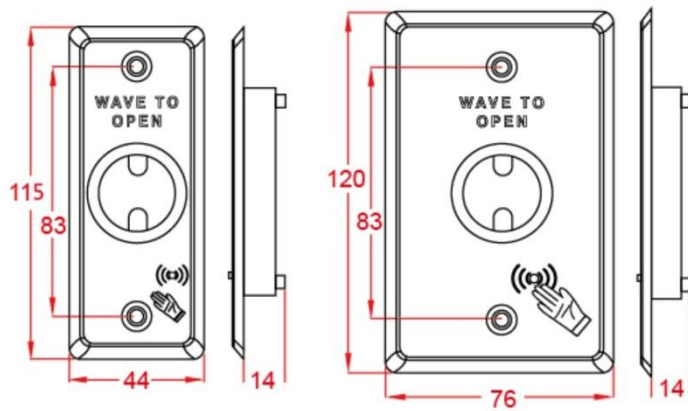


### MODELS

RD04401: Door Exit - IR Sensor - 120H\*76W\*14D

RD04400: Door Exit - IR Sensor - 115H\*44W\*14D

| SPECIFICATION                  |                |
|--------------------------------|----------------|
| Sensing Range up to 10cm ± 10% |                |
| Operation Temperature          | -25°C~55°C     |
| Input Voltage                  | 12V~24VDC      |
| Holding                        | 50mA           |
| Star                           | 100mA          |
| Contact rating                 | 2A 30VAC / VDC |



## ORDERING INFORMATION

RD04401: Door Exit - IR Sensor - 120H\*76W\*14D

RD04400: Door Exit - IR Sensor - 115H\*44W\*14D