

Z & L Bracket – GATE LOCK – 1200LBS

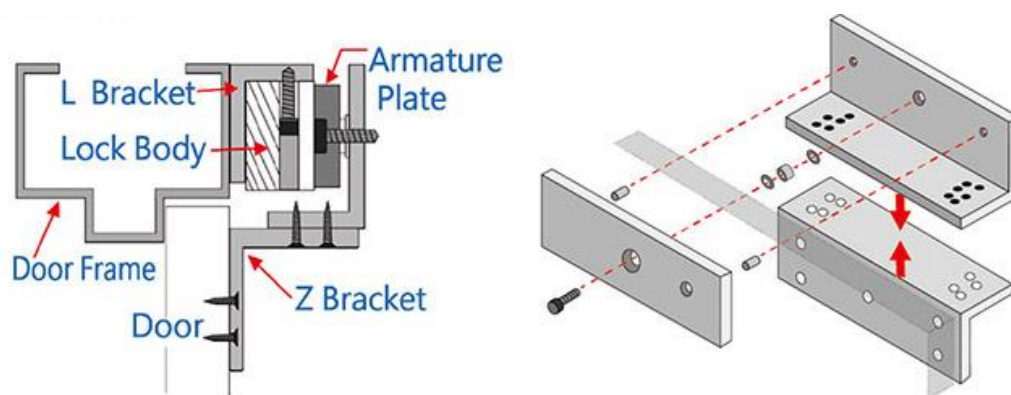
FEATURES

- Easy to locate the armature plate
- Collocation with electromagnetic locks to fit with customers installation environments
- Applicable for in-swing door and sliding doors
- Firm & Durable

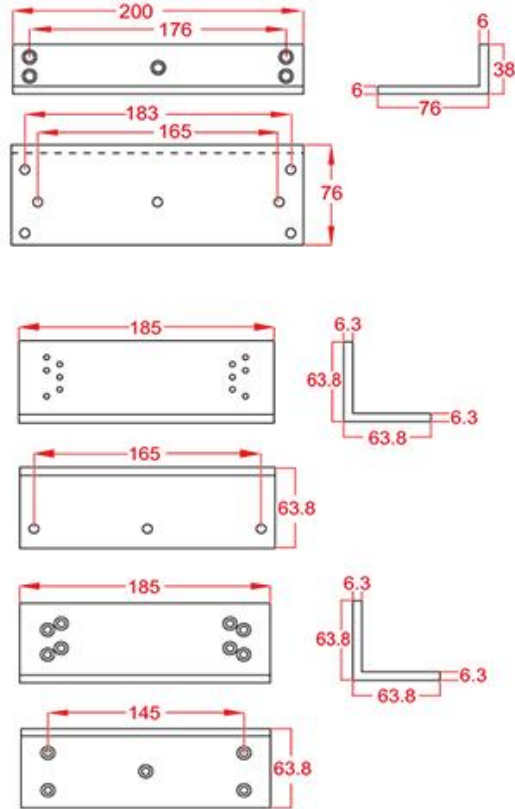


SPECIFICATION	
Material	Aluminium
Finish	Anodized finish

INSTALLATION:



DIMENSION:



ORDERING INFORMATION

RDZLG2A

Z & L Bracket for 1200 LBS Gate lock