

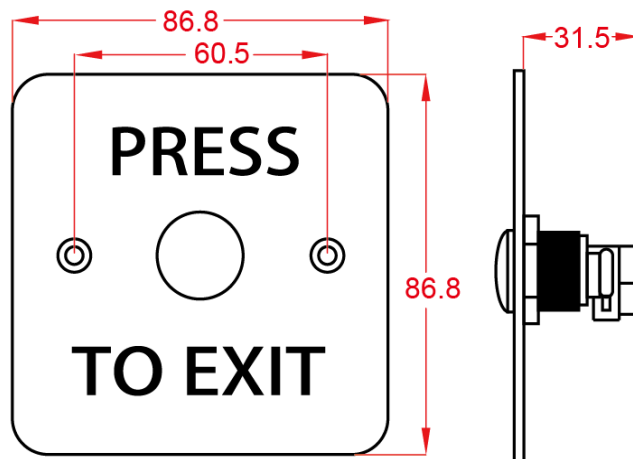
Flush Mounted Exit Push Button

Elegantly styled heavy duty request to exit button with a stainless-steel mounting plate. Vandal proof Ideal for use in access control systems.

- Simple and elegant design
- Durable quality with imported stainless steel for faceplate and button
- Easy installation with NO/COM dry contact



SPECIFICATION	
Contact load Voltage	12V
Finish	Stainless steel brushed finish
Wiring Status	Normal Open / Normal Close
Dimensions (H x W x D)	86.8 mm x 86.8 mm x 31.5 mm



Product Code	Function/Description
RD04308	Exit push button - flush mounted vandal resistant - stainless steel