

ENERGY SAVING RD SERIES 600 LBS MAGLOCK

FEATURE

- Saving the electric power up to 70% than traditional EM locks
- 28.2kg CO2 emissions is saved/per Lock. Equivalent to planting 7 trees/year

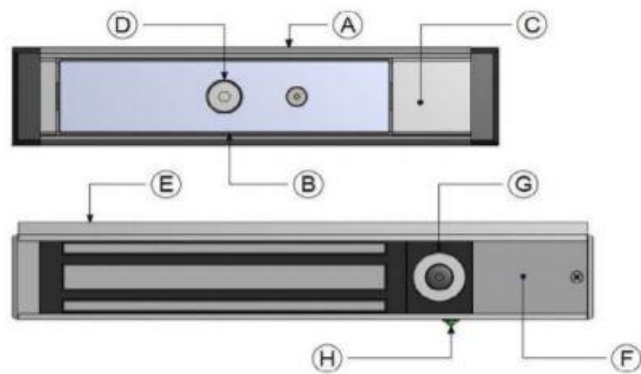
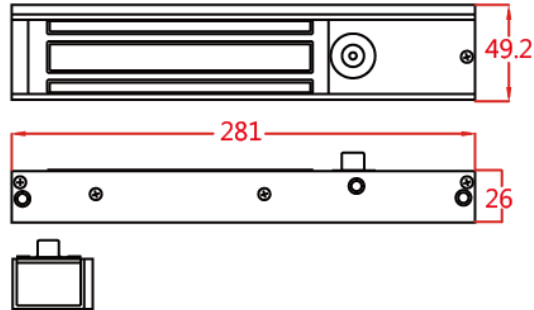
MODELS

RDESL06 : 600LBS Energy saving (281L x49.2W X26Dmm)



SPECIFICATION	
Input Voltage	12V~24VDC
Current Draw	150mA / 12VDC (100mA / 24VDC) (at saving mode)
LED indicating power & lock status	
Operating Temperature	-30°C ~ 65°C
Terminal block for Request to Exit button switch	
Smart program for tamper attempt	
Multiple national patents	

DIMENSION



- | | |
|--------------------|--------------------|
| A - Rim Housing | E - Mounting Plate |
| B - Armature Plate | F - Cover |
| C - Sensor Plate | G - Sensor |
| D - M8 Screw | H - LED |