

ELECTRIC STRIKES / USA TYPE – RD12124 Series

FEATURES

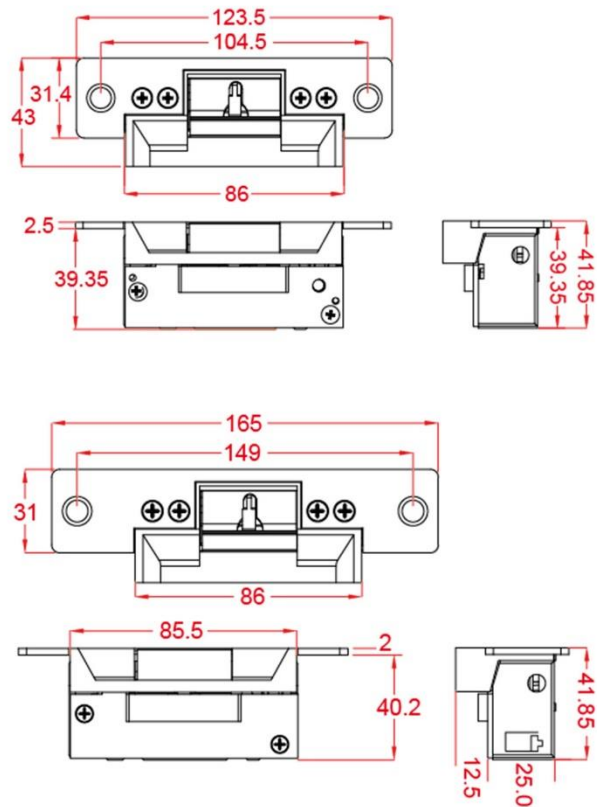
- Site convertible from one mode to the other (Fail secure default, unless specified on order)
- Direct installation on Wooden, PVC, metal door frame with mounting hole
- Made of high-quality stainless steel for high hardness, corrosion resistance & anti-deformation



MODEL

- RD12124SL: Aluminium faceplate fail secure, W/lock monitor 12VDC
- RDT12124SLD: Stainless steel faceplate fail secure W/door, lock monitor 12VDC
- RD12124FSL: Aluminium faceplate fail safe, W/lock monitor 12VDC
- RDT12124FSLD-24 : Stainless steel faceplate, fail safe W/door, lock monitor 24VDC

SPECIFICATION	
Aluminium Faceplate	123.5L*31.4W*2.5T mm
Stainless Faceplate	165L*31W*2T mm
Door Latch	1/2"(12.7mm)
Keeper Depth	12.7 mm
Fail secure	12VDC / 400mA
Fail secure	24VDC / 200mA (Specify on order)



ORDERING INFORMATION

RD12124SL: Aluminium faceplate fail secure, W/lock monitor 12VDC

RDT12124SLD: Stainless steel faceplate fail secure W/door, lock monitor 12VDC

RD12124FSL: Aluminium faceplate fail safe, W/lock monitor 12VDC

RDT12124FSLD-24 : Stainless steel faceplate, fail safe W/door, lock monitor 24VDC