

ELECTRIC STRIKES / GENERAL TYPE – RD1304 Series

FEATURES

- Direct installation on Wooden, PVC, metal door frame with mounting hole
- Made of high-quality stainless steel for high hardness, corrosion resistance & anti-deformation
- Strike trough 15mm deep, widely used with all kinds of mechanical lock.

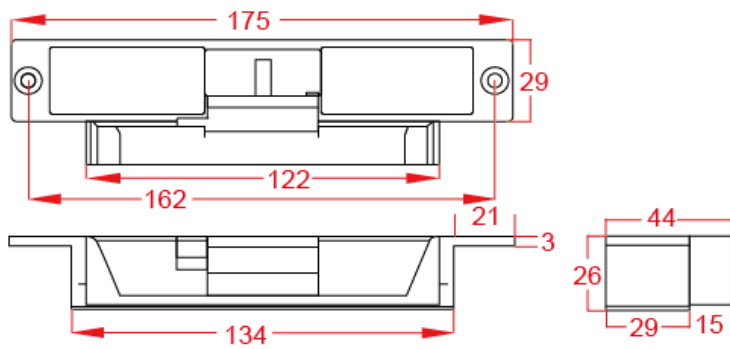


Model

RD1304SL: Stainless steel faceplate fail secure with Lock monitor

RD1304SLD: Stainless steel faceplate fail secure with door, lock monitor

SPECIFICATION	
Model	RD1304SL: Stainless steel faceplate fail secure with Lock monitor RD1304SLD: Stainless steel faceplate fail secure with door, lock monitor
Lock Status Sensors	Dry contact, NO/NC/COM
Rated Operating Voltage	DC 12V/ 24V SC/AC (Selectable)
Current draw	280mA/ 12VDC, 140mA/ 24VDC, 170mA/ 12VAC, 85mA/ 24VDC,
Optional Functions	Lock Status Sensors
Face place material	Stainless Steel
Surface Temp	Low Temperature
Ambient temperature in °C	-10°C - +55°C
Suitable for	Wooden & Aluminium & Glass & Fireproof & Metal door
Strike Plate Dimensions(L x W x D)	175Lx29Wx3.0T(mm)
Keeper Depth	10.8mm



ORDERING INFORMATION

RD1304SL: Stainless steel faceplate fail secure with Lock monitor

RD1304SLD : Stainless steel faceplate fail secure with door, lock monitor