

ELECTRIC STRIKES / EUROPEAN TYPE – RD12160J Series

FEATURES

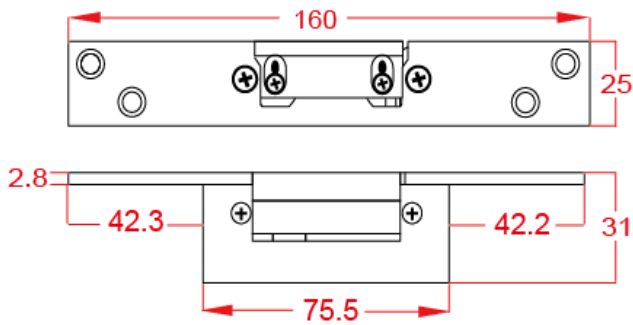
- Site convertible from one mode to the other (Fail secure default, unless specified on order)
- Direct installation on Wooden, PVC, metal door frame with mounting hole
- Made of high-quality stainless steel for high hardness, corrosion resistance & anti-deformation



Model

- RD12160J: Steel faceplate Adjustable Symmetrical strike fail secure 12VDC
- RDT12160JA: Stainless steel face plate Adjustable Symmetrical strike, Day locking lever, fail secure 12VDC
- RD12160JAB-24: Steel faceplate Adjustable Symmetrical strike, Day locking lever Impulse switch, fail secure, 24VDC
- Fail safe type: RD12160JF / RDT12160JF only

SPECIFICATION	
Keeper Depth	6 mm
Door Latch	9 mm
Steel faceplate	160L*25W*2.8T mm
Stainless steel faceplate	160L*25W*2.8T mm
Fail secure	12VDC / 600mA
Fail secure	24VDC / 300mA (Specify on order)
Fail safe	12VDC / 280mA
Fail safe	24VDC / 140mA (Specify on order)



ORDERING INFORMATION

RD12160J: Steel faceplate Adjustable Symmetrical strike fail secure

RDT12160JA: Stainless steel face plate Adjustable Symmetrical strike, Day locking lever, fail secure

RD12160JAB-24: Steel faceplate Adjustable Symmetrical strike, Day locking lever Impulse switch, fail secure

RD12160JF / RDT12160JF: Fail safe type