

## ELECTRIC BOLT – RD14 SERIES FAIL SAFE (INTELLIGENT AUTO - RELOCK)

### FEATURES

- Suitable for double swing door
- Intelligent Auto-Relock
- With lock and Door status sensor
- Built-in voltage spike suppressor
- Use jumper to select auto-lock time delay (0, 2.5, 5 sec.)
- Round plate type: easy to make appropriate installation holes



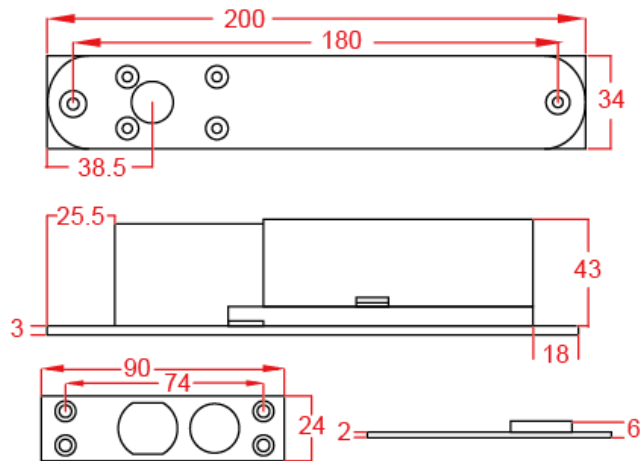
### MODELS

RD14201: With lock and door status sensor

RD14201R: Round plate, with door and lock status sensor

SPECIFICATION	
Request to EXIT	The lock has 2 wires for remote release
Fail-safe	Locked when energized
Face plate	Aluminium
Cover plate	Stainless steel
Weight	0.9KG
Voltage	12VDC or 24VDC
Current	0.9A / 12VDC , 0.5A/24VDC
Standby	0.2A / 12VDC , 0.1A/24VDC

## DIMENSION



### ORDERING INFORMATION

RD14201: Electric Bolt with Lock & Door status sensor, Intelligent auto relock

RD14201R: Electric Bolt with Round plate, Lock and door status sensor, Auto relock