

## RD01600M Series Mag Lock

### Feature

- Horizontal or vertical installation
- Suitable for sliding doors
- Selectable material of mounting bracket: steel(default) or aluminum (optional)

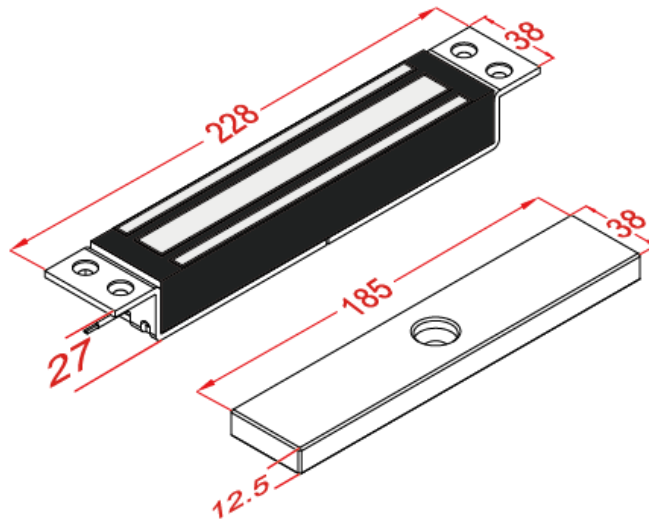


### SPECIFICATION

Voltage	12V/24V (Selectable)
Current Draw	500mA/12V , 250mA /24V
Holding Force	about 600LBS
Built-in voltage spike suppressor	
Anodized aluminum housing	
Special Finish	Zinc (on the magnet & armature plate )

### DIMENSION

Magnet (RD01600M)	228L*38W*27Dmm
Armature Plate	185L*38W*12.5T mm



## ORDERING INFORMATION

RD01600M0 : Maglock 600P , Mortice mounted, Basic

RD01600M : Maglock 600P ,Mortice mounted, W /Lock status sensor

RD01600MT : Maglock 600P , Mortice mounted, W /Lock status sensor , Timer