

## RD01300M Series Mag Lock

### Feature

- Horizontal or vertical installation
- Suitable for in-swing / out-swing/sliding. Doors, cabinets, drawers, etc.

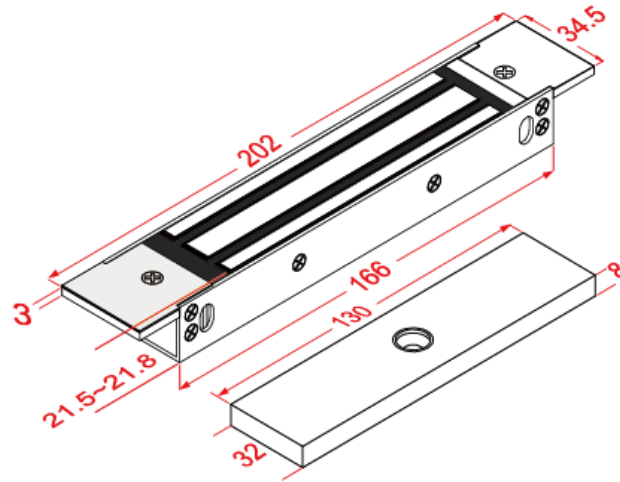


### SPECIFICATION

Voltage	12V/24V (Selectable)
Current Draw	360mA/12V , 180mA /24V
Holding Force	about 300LBS
Built-in voltage spike suppressor	
Anodized aluminum housing	
Special Finish	Zinc (on the magnet & armature plate )

### DIMENSION

Magnet (RD01300M)	202L *34.5W*21.5Dmm
Armature Plate	130L *32W*8T mm



## ORDERING INFORMATION

RD01300M - Magnetic Lock 300 LBS Single Door Mortice mounted

RD01300MS - Magnetic Lock 300 LBS Single Door with Lock Status Sensor