

## Z & L Bracket – A Series

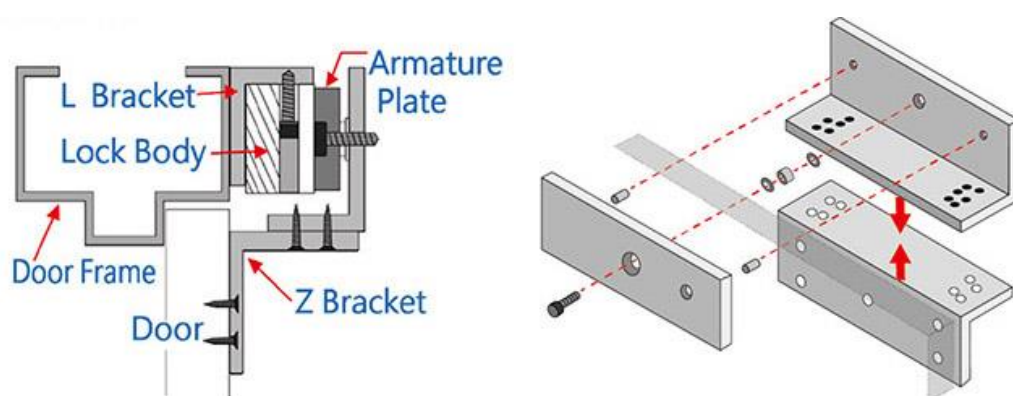
### FEATURES

- Easy to locate the armature plate
- Collocation with electromagnetic locks to fit with customers installation environments
- Applicable for in-swing door
- Firm & Durable

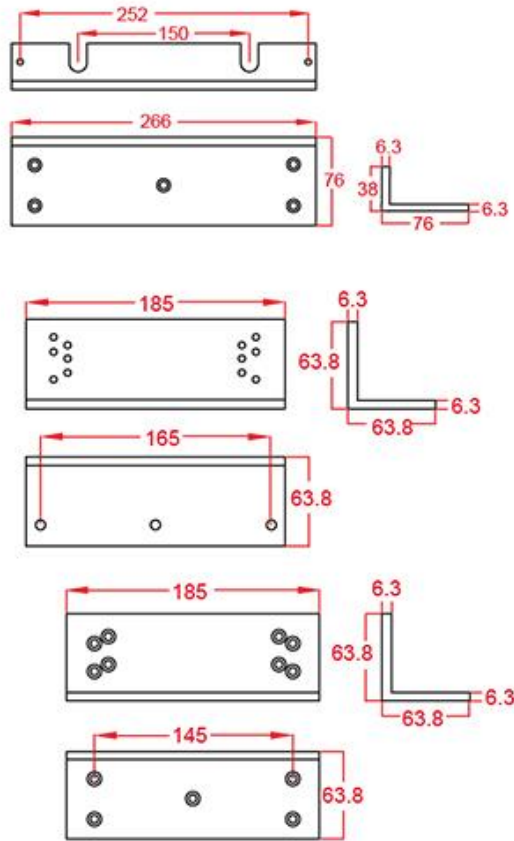


SPECIFICATION	
Material	Aluminium
Finish	Anodized finish

### INSTALLATION:



## DIMENSION:



## ORDERING INFORMATION

RDZL12A

Z & L Bracket for 1200 LBS Maglock