

Z & L Bracket – A Series – 600LBS

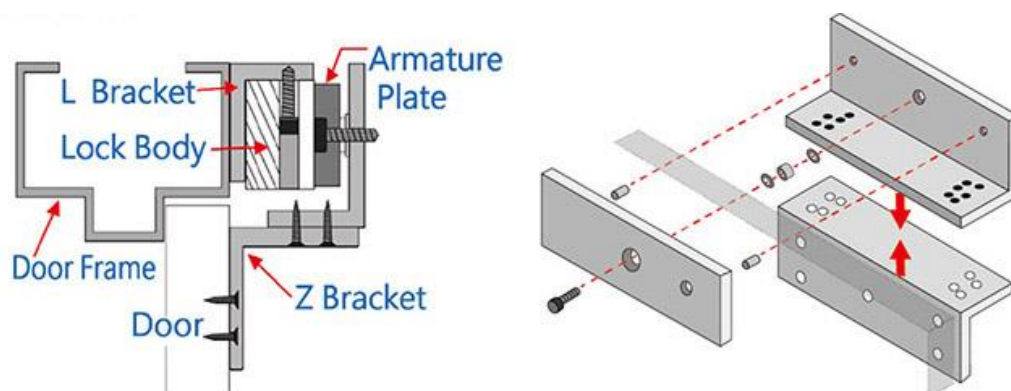
FEATURES

- Easy to locate the armature plate
- Collocation with electromagnetic locks to fit with customers installation environments
- Applicable for in-swing door
- Firm & Durable

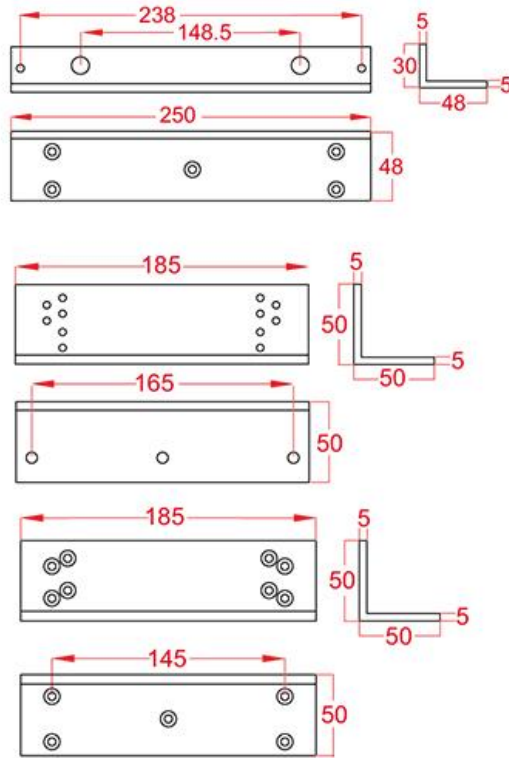


SPECIFICATION	
Material	Aluminium
Finish	Anodized finish

INSTALLATION:



DIMENSION:



ORDERING INFORMATION

RDZL06A

Z & L Bracket for 600 LBS Maglock