

Armature Plate Bracket – A series

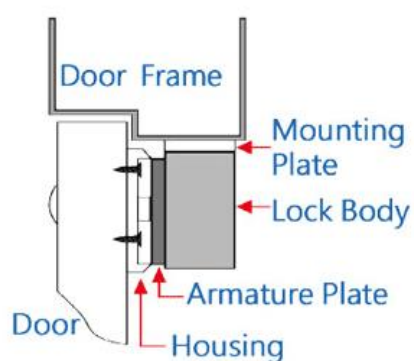
FEATURES

- Easy to locate the armature plate
- Collocation with electromagnetic locks to fit with customers installation environments
- Applicable for in-swing / out-swing door

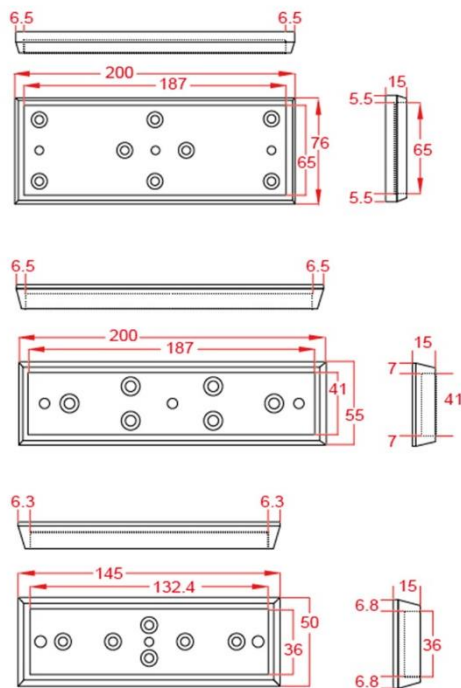


SPECIFICATION	
Material	Aluminium
Finish	Aluminium – Painted finish

INSTALLATION:



DIMENSION:



ORDERING INFORMATION

RD0B01A	Bracket for 1200 LBS Maglock
RD0B06A	Bracket for 600 LBS Maglock
RD0B03A	Bracket for 300 LBS Maglock