

## ELECTRIC STRIKES / GENERAL TYPE – RD245 Series

### FEATURES

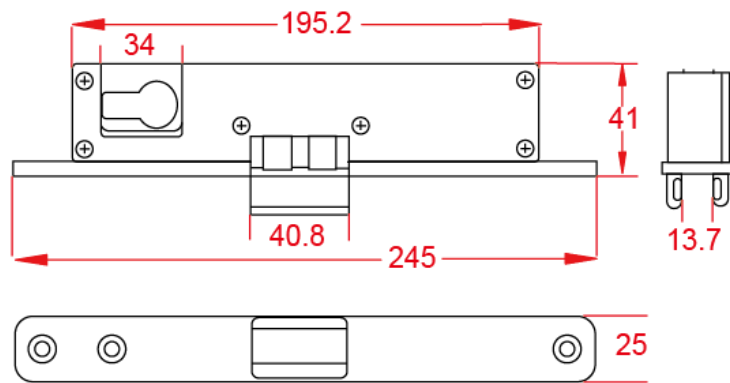
- Site convertible from one mode to the other (Fail secure default, unless specified on order)
- Applicable to frameless glass door only
- Bi-directional locking function
- Option: Lock cylinder for emergency opening in fail secure mode.



### Model

RD245: With lock sensor, lock cylinder

SPECIFICATION	
Model	RD245 : Fail secure with Lock sensor, lock cylinder
Lock Status Sensors	Dry contact, NO/NC/COM
Rated Operating Voltage	DC 12V/ 24V DC/AC (Selectable)
Current draw	300mA/ 12VDC, 150mA/ 24VDC
Optional Functions	Lock Status Sensors
Face plate material	Stainless Steel
Ambient temperature in °C	-10°C - +55°C
Suitable for	Dual mode Double -swing glass door
Strike Plate Dimensions (L x W x D)	245Lx25Wx41H(mm)



## ORDERING INFORMATION

RD245: With lock sensor, lock cylinder