

ELECTRIC BOLT – RD14 SERIES (FOR AUTO SLIDING)

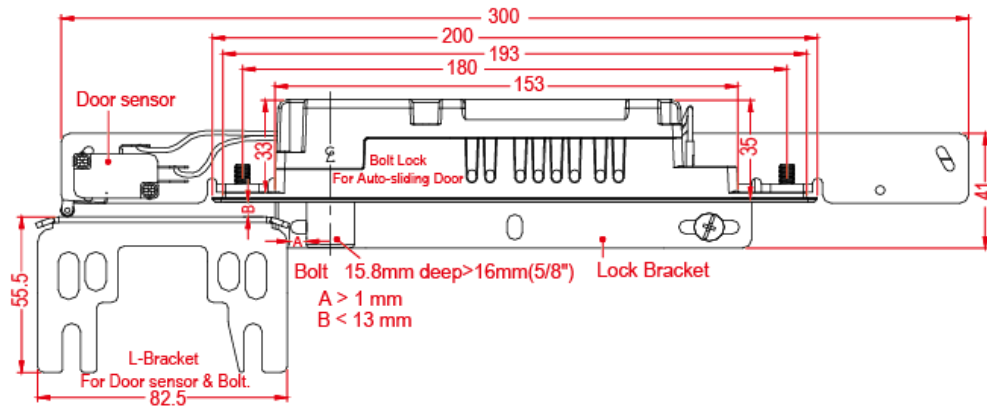
FEATURES

- Suitable for auto sliding door
- Intelligent Auto-Relock
- With lock and Door status sensor
- Built-in voltage spike suppressor
- Use jumper to select auto-lock time delay (0, 2.5, 5 sec.)
- Round plate type: easy to make appropriate installation holes
- Compatible with the access controller to control the door.
- Fixed on glass doors, wooden doors, iron gate & fireproof doors.
- Security type: Automatically unlocks the door when power off.
- Low Temperature, safe & Durable
- Low Power, Environmental Protection
- Easy to install and operate.



SPECIFICATION	
Lock Body Temperature	<40。 C (under room temperature 25。 C)
Bolt length	16mm (5/8")
Bolt dia	15.8mm (5/8")
Time Delay	0 , 3 , 6 , 9
Voltage	12VDC / 24VDC (option)
Current Draw	Star : 0.98 / 12VDC : 0.55A / 24VDC , Standby : 0.24mA / 12VDC , 0.15mA / 24VDC
Lss Relay	COM1 , NO , NC (MAX . 30VDC ; 1A)
Output signal for auto door	COM2 , NO

DIMENSION



ORDERING INFORMATION

RD14250HF	Auto-sliding door, Smart, Fail safe, With Lock status sensor, bi-color LED, 12VDC
RD14250HF-24	Auto-sliding door, Smart, Fail safe, With Lock status sensor, bi-color LED, 24VDC
RD14250H	Auto-sliding door, Smart, Fail secure, With Lock status sensor, bi-color LED, 12VDC
RD14250H-24	Auto-sliding door, Smart, Fail secure, With Lock status sensor, bi-color LED, 24VDC